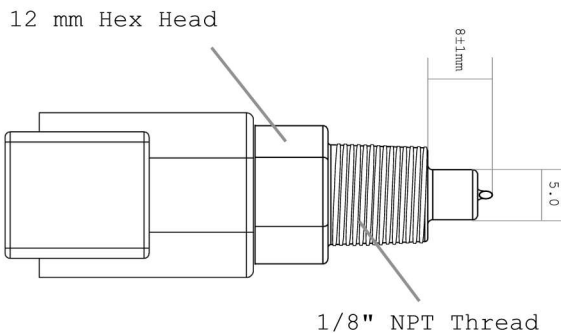


Data Sheet: MSTS Series Air Temperature Sensor

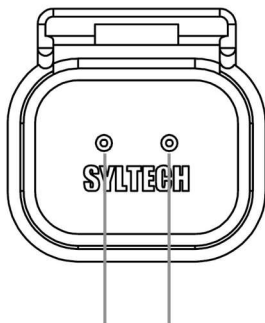
Part Number: MSTS-2P-LAT-SS-G25

Type: Open Element Thermistor  
Element Encapsulation: Glass  
Housing: Stainless Steel 304L  
Temp. Range: -40°C to 250°C  
-40°F to 482°F  
Hex Size: 12 mm  
Thread Size: 1/8" NPT  
Connection: DTM04-2P, 2 Pin  
Mating connector: DTM06-2S

Side View:



Rear View:



Calibration Table:

Temperature (°C / °F)	Resistance (Ω)	Voltage (V) 1kΩ Pull-Up @ 5VDC
<b>-40 / -40</b>	<b>343633</b>	<b>4.99</b>
-30 / -22	179267	4.97
<b>-20 / -4</b>	<b>97840</b>	<b>4.95</b>
-10 / 14	55595	4.91
<b>0 / 32</b>	<b>32755</b>	<b>4.85</b>
10 / 50	19938	4.76
<b>20 / 68</b>	<b>12501</b>	<b>4.63</b>
30 / 86	8051	4.45
<b>40 / 104</b>	<b>5315</b>	<b>4.21</b>
50 / 122	3588	3.91
<b>60 / 140</b>	<b>2473</b>	<b>3.56</b>
70 / 158	1738	3.17
<b>80 / 176</b>	<b>1243</b>	<b>2.77</b>
90 / 194	904	2.37
<b>100 / 212</b>	<b>668</b>	<b>2.00</b>
110 / 230	500	1.67
<b>120 / 248</b>	<b>380</b>	<b>1.38</b>
130 / 266	292	1.13
<b>140 / 284</b>	<b>227</b>	<b>0.93</b>
150 / 302	179	0.76
<b>160 / 320</b>	<b>143</b>	<b>0.62</b>
170 / 338	115	0.51
<b>180 / 356</b>	<b>93</b>	<b>0.43</b>
190 / 374	76	0.35
<b>200 / 392</b>	<b>63</b>	<b>0.30</b>
210 / 410	53	0.25
<b>220 / 428</b>	<b>44</b>	<b>0.21</b>
230 / 446	37	0.18
<b>240 / 464</b>	<b>32</b>	<b>0.15</b>
250 / 482	27	0.13

Note: Metal hex head section must be used to tighten the sensors only. Rotational force on the plastic connector body can potentially cause damage to the sensor assembly. Syltech takes no responsibility for any damage incurred by incorrect installation or use of this sensor. If unsure, please consult a qualified Auto Electrician for correct fitment and wiring. Off-road use only.