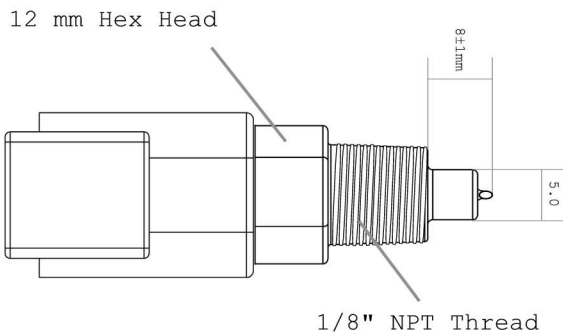


Data Sheet: MSTS Series Air Temperature Sensor

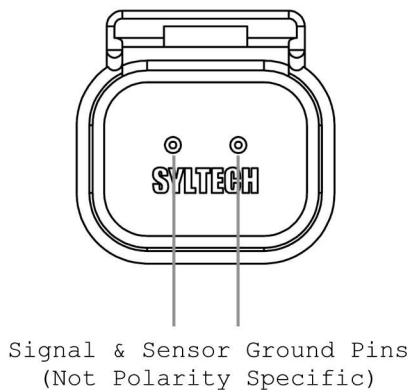
Part Number: MSTS-2P-LAT-SS-G30

Type: Open Element Thermistor
Element Encapsulation: Glass
Housing: Stainless Steel 304L
Temp. Range: -40°C to 300°C
-40°F to 572°F
Hex Size: 12 mm
Thread Size: 1/8" NPT
Connection: DTM04-2P, 2 Pin
Mating connector: DTM06-2S

Side View:



Rear View:



Calibration Table:

Temperature (°C/°F)	Resistance (Ω)	Voltage (V) 1kΩ Pull-Up @ 5VDC
-40	3429745	4.999
-30	1787980	4.997
-20	975804	4.995
-10	554702	4.991
0	327020	4.985
10	199201	4.975
20	124973	4.960
30	80527	4.939
40	53164	4.908
50	35884	4.864
60	24717	4.806
70	17345	4.727
80	12383	4.626
90	8981	4.499
100	6610	4.343
110	4932	4.157
120	3727	3.942
130	2850	3.701
140	2203	3.439
150	1722	3.163
160	1358	2.880
170	1081	2.597
180	869	2.325
190	703	2.064
200	574	1.823
210	472	1.603
220	391	1.405
230	326	1.229
240	273	1.072
250	231	0.938
260	196	0.819
270	167	0.716
280	143	0.626
290	124	0.552
300	107	0.483

Note: Metal hex head section must be used to tighten the sensors only. Rotational force on the plastic connector body can potentially cause damage to the sensor assembly. Syltech takes no responsibility for any damage incurred by incorrect installation or use of this sensor. If unsure, please consult a qualified Auto Electrician for correct fitment and wiring. Off-road use only.